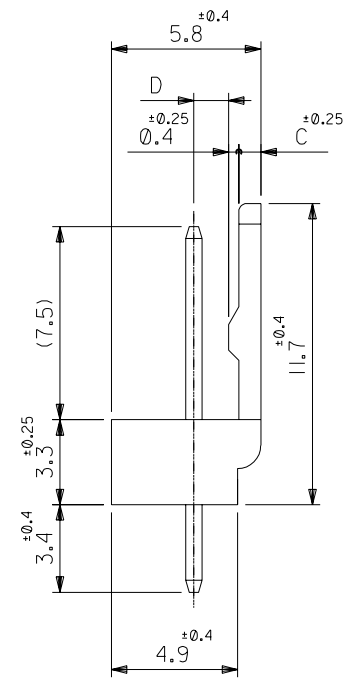
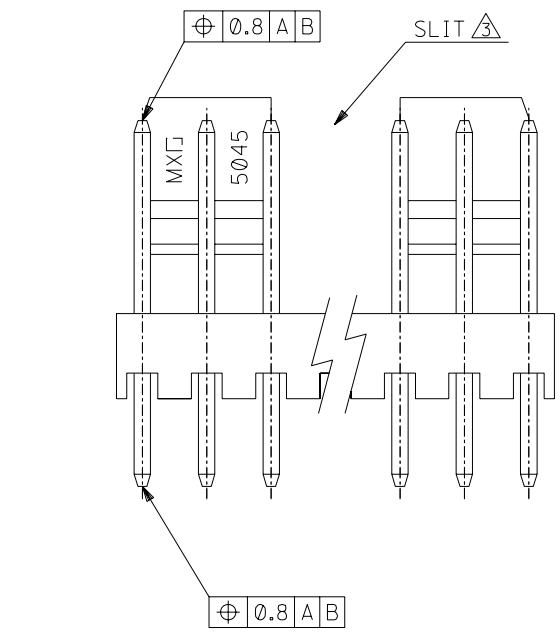


NOTES

I. MATERIAL  
 WAFER : 66NYLON UL94V-0  
 PIN : □0.635  
 BRASS, GOLD(0.35µmMIN.)  
 OVER NICKEL(2µmMIN.) PLATING

△ TO BE APPLIED FOR 6CKT.  
 AND MORE THAN 6CKT.

△ NO SLIT IS PROVIDED FOR 5CKT.  
 AND LESS THAN 5CKT.



1.35	0.85	47.5 <sup>+0.3</sup> <sub>-0.45</sub>	47.5	22-11-1201	5045-20AG	20
↑	↑	45 <sup>+0.3</sup> <sub>-0.45</sub>	45	↑ -1191	↑ -19AG	19
		42.5 <sup>+0.3</sup> <sub>-0.45</sub>	42.5	↑ -1181	↑ -18AG	18
		40 <sup>+0.3</sup> <sub>-0.45</sub>	40	↑ -1171	↑ -17AG	17
		37.5 <sup>+0.3</sup> <sub>-0.45</sub>	37.5	↑ -1161	↑ -16AG	16
		35 <sup>+0.3</sup> <sub>-0.45</sub>	35	↑ -1151	↑ -15AG	15
		32.5 <sup>+0.25</sup> <sub>-0.45</sub>	32.5	↑ -1141	↑ -14AG	14
		30 <sup>+0.25</sup> <sub>-0.4</sub>	30	↑ -1131	↑ -13AG	13
		27.5 <sup>+0.25</sup> <sub>-0.4</sub>	27.5	↑ -1121	↑ -12AG	12
		25 <sup>+0.2</sup> <sub>-0.4</sub>	25	↑ -1111	↑ -11AG	11
		22.5 <sup>+0.2</sup> <sub>-0.4</sub>	22.5	↑ -1101	↑ -10AG	10
		20 <sup>+0.15</sup> <sub>-0.35</sub>	20	↑ -1091	↑ -09AG	9
		17.5 <sup>+0.15</sup> <sub>-0.35</sub>	17.5	↑ -1081	↑ -08AG	8
		15 <sup>+0.1</sup> <sub>-0.3</sub>	15	↑ -1071	↑ -07AG	7
		12.5 <sup>+0.1</sup> <sub>-0.3</sub>	12.5	↑ -1061	↑ -06AG	6
		10 <sup>+0.15</sup> <sub>-0.3</sub>	10	↑ -1051	↑ -05AG	5
1.35	0.85	7.5 <sup>+0.15</sup> <sub>-0.3</sub>	7.5	↓ -1041	↓ -04AG	4
1.2	1	5 <sup>+0.15</sup> <sub>-0.3</sub>	5	↓ -1031	↓ -03AG	3
1.2	1	2.5 <sup>+0.15</sup> <sub>-0.3</sub>	2.5	22-11-1021	5045-02AG	2
D	C	B	A	EDP NO.	ENG. NO.	CKT.

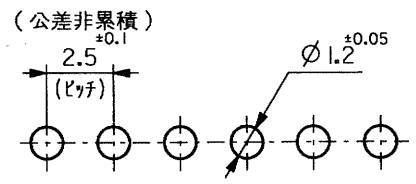
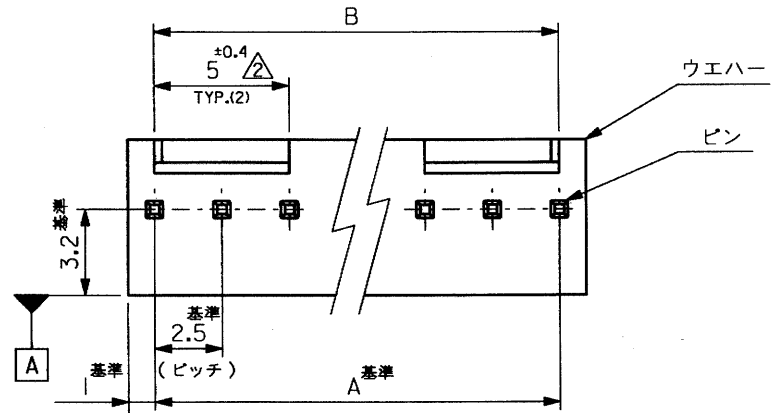
材料 MATERIAL	SEE NOTES	molex MOLEX-JAPAN CO.,LTD. 日本モレックス株式会社	
仕上げ FINISH	— / —	EDP. NO. 22-11-1**1	
適用電線範囲 WIRE RANGE	— / —	ENG. NO. SD-5045-NAG	
被覆外径 INS. RANGE	— / —	REV E	
DRAWN BY '90/3/23 Y.MIZUNO	CHK'D BY '91/12/10 M.FUKUSHIMA	TITLE 名称 KK 2.5 WAFER ASS'Y WITH LOCK	
APP'D BY '91/12/10 M.ENOMOTO	尺度 SCALE 5 - 1		

角度 ANGLE	±3°
30 以上 OVER	+0.3
10 以上 OVER 30 未満 UNDER	+0.25
10 未満 UNDER	+0.2
一般公差 GENERAL TOLERANCES	REVISE ONLY ON CAD SYSTEM

REVISION RECORD

記号	変更内容	DR. CHK.	日付 DATE
E	REVISED & REDRAWN (100300)	Y.M	'90/4/4

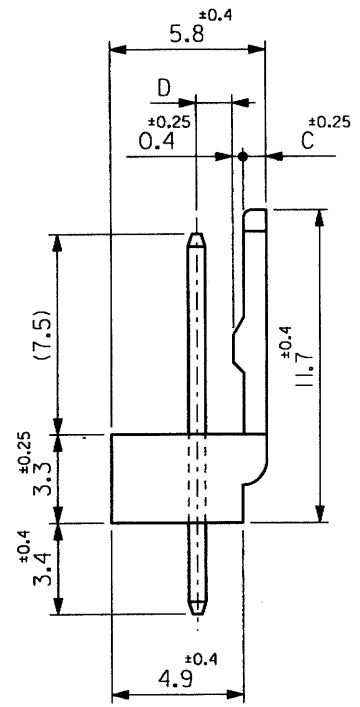
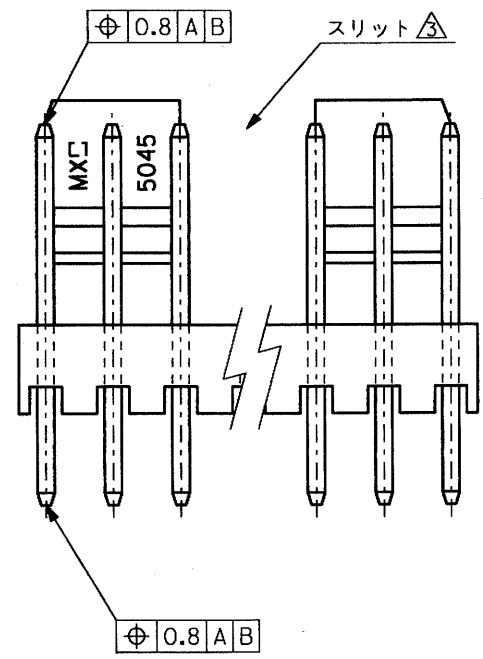
ENG. NO. SD-5045-NAG  
 EDP NO. 22-11-1001  
 DIMENSIONS IN METRIC DO NOT SCALE DRAWING



基板取付穴推奨寸法

注記

1. 材料  
 ウエハー: 66ナイロン, UL94V-0  
 ピン: 0.635黄銅  
 ニッケル下地: 2μm MIN.  
 金メッキ: 0.35μm MIN.
- △ 6極以上に適用  
 △ 5極以下はロック部スリットなし



1.35	0.85	47.5 <sup>+0.3</sup> <sub>-0.45</sub>	47.5	22-11-1201	5045-20AG	20
↑	↑	45 <sup>+0.3</sup> <sub>-0.45</sub>	45	↑ -1191	↑ -19AG	19
		42.5 <sup>+0.3</sup> <sub>-0.45</sub>	42.5	↑ -1181	↑ -18AG	18
		40 <sup>+0.3</sup> <sub>-0.45</sub>	40	↑ -1171	↑ -17AG	17
		37.5 <sup>+0.3</sup> <sub>-0.45</sub>	37.5	↑ -1161	↑ -16AG	16
		35 <sup>+0.3</sup> <sub>-0.45</sub>	35	↑ -1151	↑ -15AG	15
		32.5 <sup>+0.25</sup> <sub>-0.45</sub>	32.5	↑ -1141	↑ -14AG	14
		30 <sup>+0.25</sup> <sub>-0.4</sub>	30	↑ -1131	↑ -13AG	13
		27.5 <sup>+0.25</sup> <sub>-0.4</sub>	27.5	↑ -1121	↑ -12AG	12
		25 <sup>+0.2</sup> <sub>-0.4</sub>	25	↑ -1111	↑ -11AG	11
		22.5 <sup>+0.2</sup> <sub>-0.4</sub>	22.5	↑ -1101	↑ -10AG	10
		20 <sup>+0.15</sup> <sub>-0.35</sub>	20	↑ -1091	↑ -09AG	9
		17.5 <sup>+0.15</sup> <sub>-0.35</sub>	17.5	↑ -1081	↑ -08AG	8
		15 <sup>+0.1</sup> <sub>-0.3</sub>	15	↑ -1071	↑ -07AG	7
		12.5 <sup>+0.1</sup> <sub>-0.3</sub>	12.5	↑ -1061	↑ -06AG	6
		10 <sup>+0.15</sup> <sub>-0.3</sub>	10	↑ -1051	↑ -05AG	5
↓	↓	7.5 <sup>+0.15</sup> <sub>-0.3</sub>	7.5	↓ -1041	↓ -04AG	4
↓	↓	5 <sup>+0.15</sup> <sub>-0.3</sub>	5	↓ -1031	↓ -03AG	3
↓	↓	2.5 <sup>+0.15</sup> <sub>-0.3</sub>	2.5	↓ 22-11-1021	↓ 5045-02AG	2
D	C	B	A	EDP. NO.	ENG. NO.	極数

材料 MATERIAL		注記参照		MOLEX-JAPAN CO.,LTD. 日本モレックス株式会社	
仕上げ FINISH		— / —		EDP. NO. 22-11-1001	
適用電線範囲 WIRE RANGE		— / —		ENG. NO. SD-5045-NAG	
線径外径 INS. RANGE		— / —		REV E	
DRAWN BY '90/3/23 Y.MIZUNO		CHK'D BY Y.MIZUNO		TITLE 名称 KK 2.5 WAFER ASS'Y WITH LOCK	
APP'D BY '94/6 M.Y.		尺度 SCALE 5 - 1			
角度 ANGLE ±3°					
30 以上 OVER ±0.3					
10 以上 30 未満 OVER 30 UNDER ±0.25		E 変更及び再作図(J00330)		Y.M '90/4/4	
3 未満 UNDER ±0.2		LTR 変更内容 REVISION RECORD		DR. CHK. DATE	
一般公差 GENERAL TOLERANCES		REVISE ONLY ON CAD SYSTEM			